



---

## LX4000 *range*

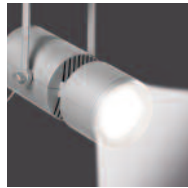


A complete range of projectors providing a high light out put. Hi-tech design and quality components that are a must for professional applications, architectural use and, combined with tracks, for shop windows. Main body and arm made using die cast aluminium. Safety tempered glass and ultra pure aluminium reflectors. Spot an flood versions. Integrated control gear for metal halide. Universal adapter for 3 phase tracks included.

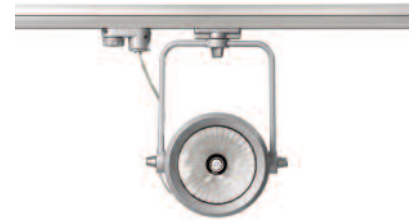
## LX4000

Hi-tech design and quality components are a must for tracks, for shop windows.  
Main body and arm, made of die-cast aluminium.  
Safety tempered glass and ultra pure aluminium reflectors.  
Spot 15° and Flood 40° versions. Integrated control gear for metal halides.  
Universal adapter for 3 phase tracks included.

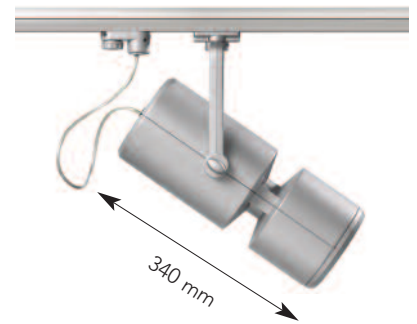
## LX4070



- METAL HALIDE
- HIT-CRI G12
- 70 W MAX - 230 V
- CONVENTIONAL
- SPOT 15° STANDARD REFLECTOR
- FLOOD 40° (OPTION)
- UNIVERSAL ADAPTER 3 PHASES



200 mm



340 mm

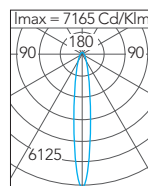
Colours:

□ MATT WHITE (on request)

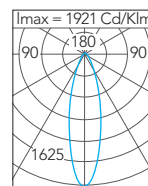
■ MATT BLACK (on request)

■ SILVER

SPOT 15°



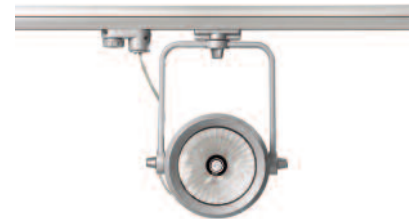
FLOOD 40°



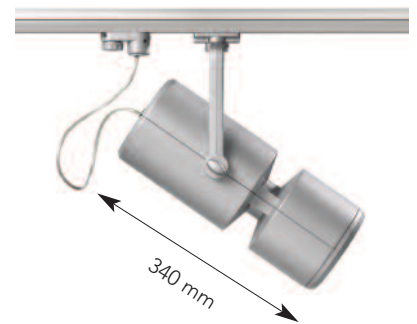
## LX4150



- METAL HALIDE
- HIT-CRI G12
- 150 W MAX - 230 V
- CONVENTIONAL
- SPOT 15° STANDARD REFLECTOR
- FLOOD 40° (OPTION)
- UNIVERSAL ADAPTER 3 PHASES



200 mm



340 mm

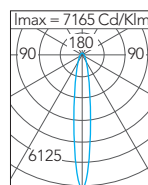
Colours:

□ MATT WHITE (on request)

■ MATT BLACK (on request)

■ SILVER

SPOT 15°



FLOOD 40°

