



LX3000 *range*

A complete range of projectors providing a high light out put. Hi-tech design and quality components that are a must for professional applications, architectural use and, combined with tracks, for shop windows. Developed in four main sizes, Micro, Mini, Medio and Maxi to satisfy many kind of lamp requirements.

Main body and arm made using die cast aluminium. Safety tempered glass and ultra pure aluminium reflectors. Spot and flood versions. Integrated control gear for metal halide and halogen lamps, electronic and conventional version. Universal adapter for 3 phase tracks included. Available in Silver, Matt White and (on request) Matt Black.

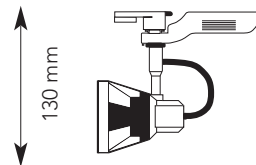


LX3050

micro



- HALOGEN QR-CBC 51
- 50 W MAX
- ELECTRONIC
- UNIVERSAL ADAPTER 3 PHASES

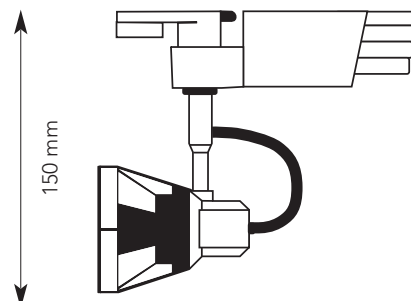


LX3035

mini



- METAL HALIDE
- SYLVANIA BRITE SPOT ES 50 - GX 10
- 35 W MAX
- ELECTRONIC
- UNIVERSAL ADAPTER 3 PHASES

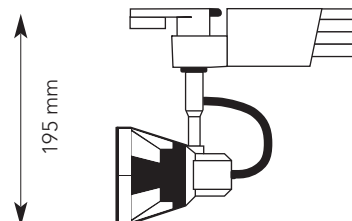


LX3020

medio



- METAL HALIDE
- CDM-TC BASE G 8,5
- 230 V
- ELECTRONIC
- 20-35 OR 70 W
- FLOOD 60° REFLECTOR
- UNIVERSAL ADAPTER 3 PHASES

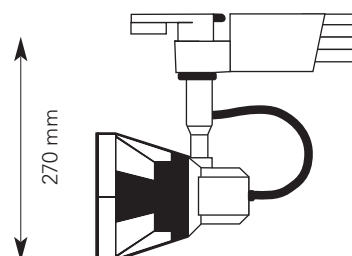


LX3035

maxi



- METAL HALIDE
- HIT-CRI G12
- 35 W MAX - 230 V
- ELECTRONIC
- SPOT 15° STANDARD REFLECTOR
- FLOOD 40° (OPTION)
- UNIVERSAL ADAPTER 3 PHASES

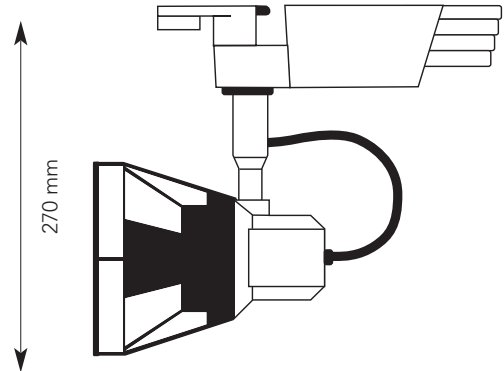
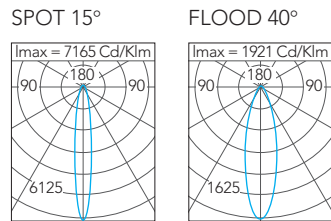


LX3070

maxi



- METAL HALIDE
- HIT-CRI G12
- 70 W MAX - 230 V
- CONVENTIONAL
- SPOT 15° STANDARD REFLECTOR
- FLOOD 40° (OPTION)
- UNIVERSAL ADAPTER 3 PHASES



LX3150

maxi



- METAL HALIDE
- HIT-CRI G12
- 150 W MAX - 230 V
- CONVENTIONAL
- SPOT 15° STANDARD REFLECTOR
- FLOOD 40° (OPTION)
- UNIVERSAL ADAPTER 3 PHASES

