



Outdoor lighting fixture, completely made of die-cast aluminium. Polyestere painting and phospo-cromating prefinishing to prevent corrosion damages, even if in very wet and saline atmosphere, this could happen. External painting corrosion do not compromise in any case the functionality of the fitting. Silicon rubber gaskets. Super pure aluminium reflectors with anti-glare and light comfort design. Stainless steel screws.

The perfect lighting solution for gardens. Available in Silver and Black colour. Aquatarget Rx7s has been engineered using "low maintenance" concepts even if relamping is very easy and fast.

---

## Aquatarget IP 65 Rx7s

Lighting fixture for wall applications.  
Die cast aluminium body.  
The IP65 rating, allows for dust-proofing and water-proofing.  
Suitable for fitting in damp surroundings, both indoors and outdoors.

Colours:

■ MATT BLACK (on request)

■ SILVER



## Aquatarget

Rx7s - 70W

• HIT-DE



FLOOD 60°



- Low maintenance
- High visual comfort
- Silicon gaskets
- Tempered glass
- Impact resistant
- Die-cast aluminium
- Aluminium pure reflectors 99,98%
- Stainless steel screws
- Phosphochrome pre-finishing
- Polyester painting
- PG 13,5 wire entry



## Aquatarget

Rx7s - 150W

• HIT-DE



FLOOD 60°



- Low maintenance
- High visual comfort
- Silicon gaskets
- Tempered glass
- Impact resistant
- Die-cast aluminium
- Aluminium pure reflectors 99,98%
- Stainless steel screws
- Phosphochrome pre-finishing
- Polyester painting
- PG 13,5 wire entry



## Aquatarget

G12 - 70W

• HIT-CRI



FLOOD 60°



- Low maintenance
- High visual comfort
- Silicon gaskets
- Tempered glass
- Impact resistant
- Die-cast aluminium
- Aluminium pure reflectors 99,98%
- Stainless steel screws
- Phosphochrome pre-finishing
- Polyester painting
- PG 13,5 wire entry



## Aquatarget

G12 - 150W

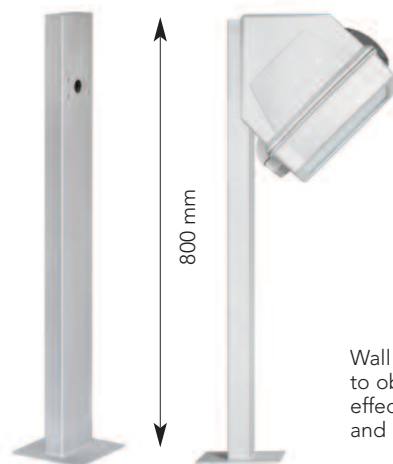
• HIT-CRI



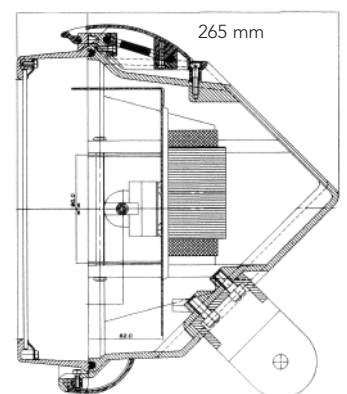
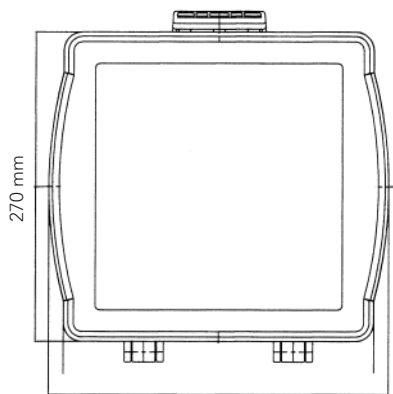
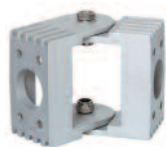
FLOOD 60°



- Low maintenance
- High visual comfort
- Silicon gaskets
- Tempered glass
- Impact resistant
- Die-cast aluminium
- Aluminium pure reflectors 99,98%
- Stainless steel screws
- Phosphochrome pre-finishing
- Polyester painting
- PG 13,5 wire entry



Wall fixing HW-01 (ON REQUEST) to obtain more precise lighting effects on surfaces. It is movable and made of die-cast aluminium.



Wall bracket AT-02 (ON REQUEST) to light up building façades or vertical high surfaces. We suggest to use it in combination with HW-01 wall fixing, to obtain more precise lighting effects. It could be installed upside-down in the preferred position.